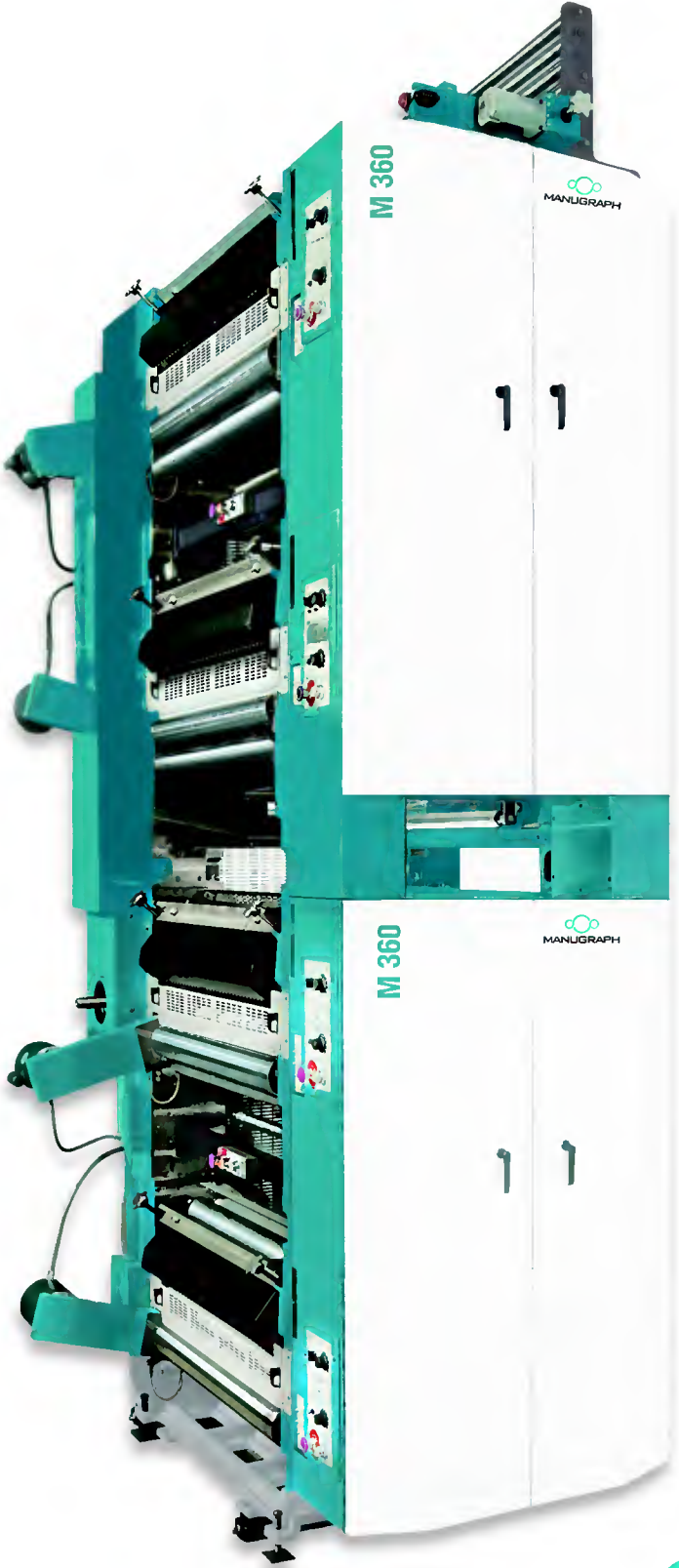


M 360

4-Page Newspaper Offset Press



MANUGRAPH
Technology in Print

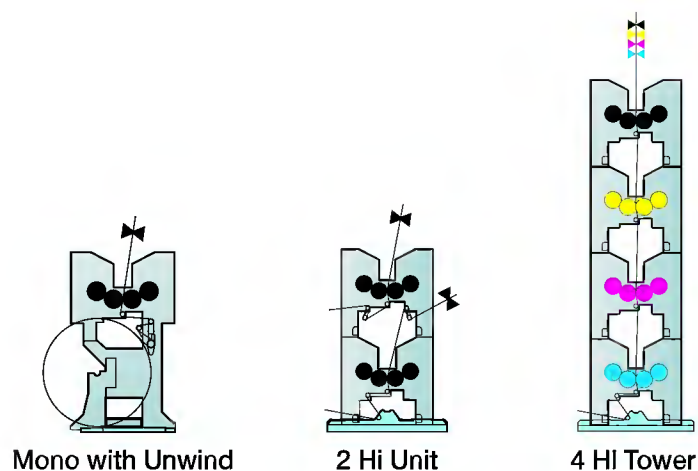
M 360

M 360 is a single width, single circumference press and is the latest addition to the Manugraph stable. With a maximum speed up to 36,000 cph and an excellent price performance ratio, **M 360** meets the printing requirements of medium circulation newspapers and Commercial Printers alike. With its inbuilt flexibility, **M 360** is capable of printing broadsheet, tabloid, quarter-fold products. Short web path ensures excellent print quality and reduced waste. This provides an excellent price performance ratio.

Features at a glance

- Max. Speed up to 36,000 cph
- Max. web width 889 mm (35 inches)
- Cut-off lengths 533, 546, 560, 578 mm (21, 21½, 22, 22¾ inches)
- Integrated Unwind for Mono Unit and standalone Unwind for Tower. Option of standalone Autopaster
- Pneumatic controls for impression, ink & damp form rollers on/off
- Box type side frames on gear side
- Swing down ink fountain with calibrated lever type ink keys
- 8-roller ink train with 2 form rollers and 2 PU coated oscillators
- Oscillating Rollers mounted on needle roller bearings
- Spiral brush dampener with motorized water pan roller
- Motorized on-the-run lateral plate register adjustment of $\pm 3.17\text{mm}$ (± 0.125 inches)
- Motorized on-the-run circumferential plate register adjustment of $\pm 1.57\text{mm}$ (± 0.062 inches)
- Motorized unit-to-unit phasing of $\pm 3.17\text{mm}$ (± 0.125 inches)
- Fan-out correction devices
- Non contact web break detectors
- PLC - based drive panel
- Multi webs through tower (option)
- Choices of Inertia roller or Grater roller at tower exit

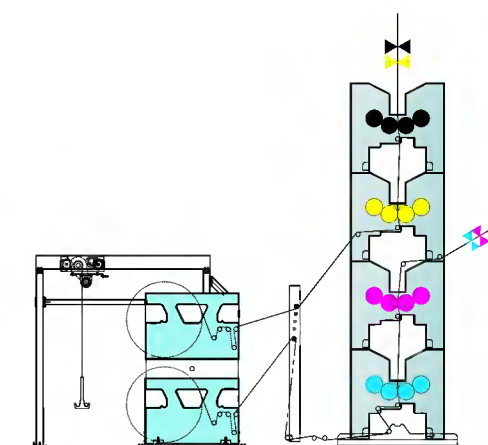
Print Unit Modules



Mono with Unwind

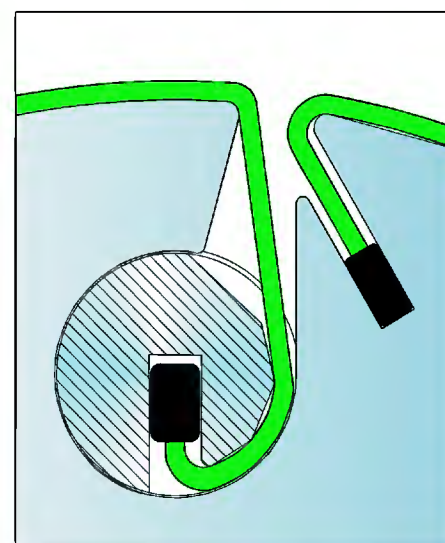
2 Hi Unit

4 HI Tower



4 HI Tower with stacked unwind for 2 web printing

Cylinders for the best performance



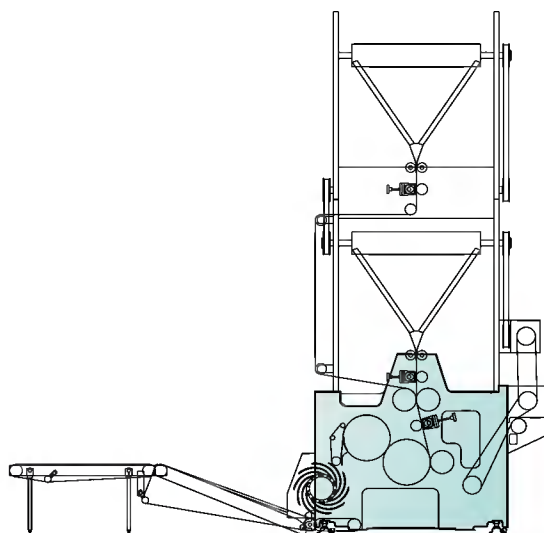
Reel Rod Blanket Cylinder Lock-up (Optional)

- High quality alloy steel cylinders supported on precision class taper roller bearings
- T - bar type blanket lock-up as standard
- Narrow-gap Reel rod blanket lock up with bearer rings on blanket cylinders - Optional
- Slot gap toolless plate lock-up 1.59 mm (1/16 inches) with register pin center located

F 122 Folder

M 360 comes with F122 Jaw Folder as a standard. Choices of Broadsheet, Tabloid & Quarter fold products are available. F122 can handle 6 webs to produce a 24 page broadsheet or a 48 page tabloid product. With the Quarter fold attachment, 32 page signatures can be produced. Option of balloon former is also available.

Folder Features



- 1:2:2 Jaw Folder
- 36,000 copies per hour
- 533, 546, 560, 578 mm cut-offs (21, 21½, 22, 22¾ inches)
- 24 page broadsheet / 48 page tabloid
- Web width (max) : 889 mm
- Air cushioned 60° former
- Fixed gain RTF as standard
- Upper former with cut-off compensators for 2 sections
- Lap adjustment facility

- Diameter increment on folding cylinder
- Shear pin in the folder drive line
- Slitter mechanism for tabloid production
- Batch counter
- Optional attachments :
 - Third fold
 - Longitudinal / cross perforation
 - 1/8 fold
 - Motorized cut-off compensators

Unwind / Flying Paster

Features - Unwind (Reel stand)

- Max. reel diameter 1067 mm and Web width 889 mm
- Pneumatically operated dancing roller linked to reel brakes for constant web tension
- Pneumatically operated ventilated disc brake
- Option of Stacked Unwind for 2 webs provision

Features- Flying paster (Autopaster)

- Max. reel diameter 1067 mm and Web width 889 mm
- Pneumatically operated dancing roller mechanism for constant web tension
- Separate AC motor for reel holding arm rotation
- Hydraulic or Mechanical web trolley for reel loading
- Electronic photo sensors, inductive sensors and encoder for positioning of reel and arms movements
- PLC with encoder provides precise position sensing required for autopasting cycle
- Knife and Brush roller mechanism for pasting
- Belt drive to speed up new reel
- Pneumatically expandable reel clamping shaft

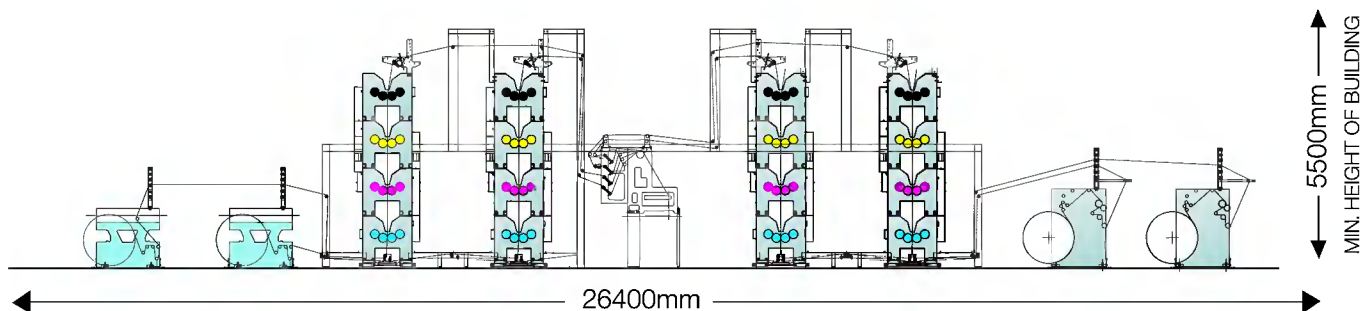
Central Console

- Central Console for press controls and automatic sequential mode printing functions
- Open loop motorized registration controls
- Dampening system through master slave controls
- Display facility for machine speed, sheet counter, batch quantity, fault indication and registration values

M 360

Max. Printing speed - 2nd Fold	Up to 36,000 cph
Max. reel diameter	1067 mm (42 inches)
Max. Web width	889 mm (35 inches)
Cut off length	533, 546, 560, 578 mm (21, 21½, 22, 22¾ inches)
Printing unit module	Arch type - Mono unit with integrated Unwind - 2 Hi Unit - 4 Hi Tower
Plate mounting	Tool-less slot gap lock-up - 1.59 mm (1/16 inches)
Blanket lock up	T-bar type - standard.
Register controls: - Lateral - Circumferential - Unit-to-Unit phasing	Motorized ± 3.17mm (±0.125 inches) ± 1.57mm (± 0.062 inches) ± 3.17mm (± 0.125 inches)
Unwind (Reel stand)	With pneumatic brakes. Standalone for Tower and Integrated for Mono unit
Folder	1:2:2 Jaw Folder up to 6 webs
Drive panel	DC Drive with central PLC
Optionals	<ul style="list-style-type: none"> • Narrow gap Reel rod type blanket lock up • Bearers on blanket cylinders • Balloon Former (Upper Former) • Third (Quarter) Fold • 1/8 Fold • Motorized cut-off control on folder for each web • Multi web capability on the tower • Autopaster • Stacked Unwind for 2 web provision • Detachable Shaft (clutch)

PRESS CONFIGURATION



Manugraph India Ltd.

Sidhwa House, 1st floor, N.A.Sawant Marg, Colaba, Mumbai - 400 005. Phone: 91-22-2287 4815/4788/1191/0620.
Fax: +91 22 2287 0702 Email: sales@manugraph.com Website: www.manugraph.com

M 360 is subject to continuous upgradation resulting from ongoing research and development and practical experiences gained. Therefore, in the interest of the customers we reserve the right to modify the specifications, features and technical data without notice. Only the specifications while confirming the order shall be binding. **M 360** is a registered trademark of Manugraph India Ltd.