

# ***DREAMLINE***

Double width Single Circumference Eight Page Press



**MANUGRAPH**  
Technology in Print

## A Versatile Double Width Single Circumference Eight Page Press

Manugraph introduces **DREAMLINE**, a new 8-page Newspaper press featuring Double Width but Single Circumference Plate and Blanket cylinders. It offers same output of Double Width presses with the flexibility of single width presses.

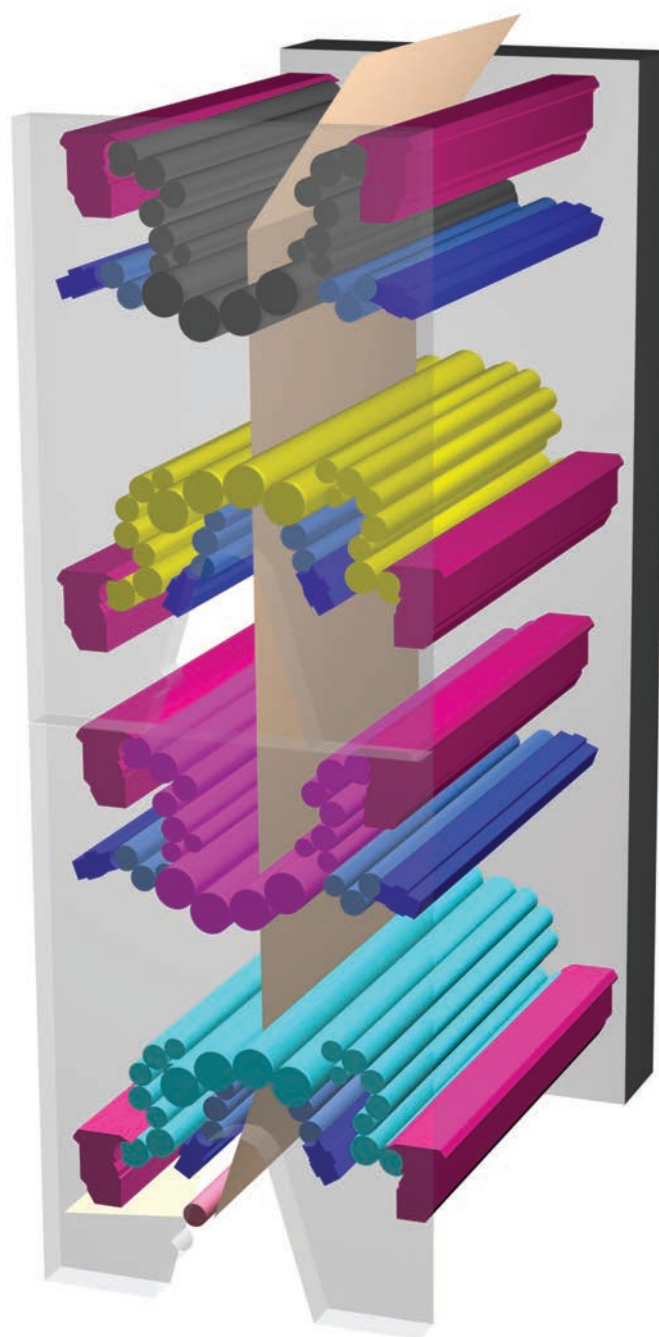
With a maximum rated output of 50,000 CPH, it's one around plate cylinder addresses today's demand of newspapers to expand the option for the pagination (two page jump) of the individual sections and the number of sections. The 4 Hi Towers have two operating levels for better maneuverability of the press.

### Dreamline Features at a glance :

- 50,000 copies per hour.
- Vertical web leads.
- H Unit construction
- Bearerless plate and a blanket cylinders mounted on triple ring bearings (backlash free)
- Micro-gap Plate & Blanket lock-up
- Metal back Blanket
- 8 roller inking system with two form rollers of different diameters and two oscillating rollers
- Manucolor remote ink zone control system with the option of CIP3/CIP4 interface.
- 3 roller Spray dampening system with 8 nozzles per spray bar.
- Auto tracking of ink duct & Spray nozzle opening.
- Motorized Bustle Wheel
- Ink silencing per ink train, manual operated
- Single position overload pneumatic clutch for H Print Unit
- Remote registration and cut off control.
- Motorised Infeed roller with nip roller.
- Web Severer at the entry & exit of each Tower.
- Inertia roller at the Tower exit
- Integrated PLC panel on H Print unit.
- Standalone flying splicer.

## Creating a world of possibilities :

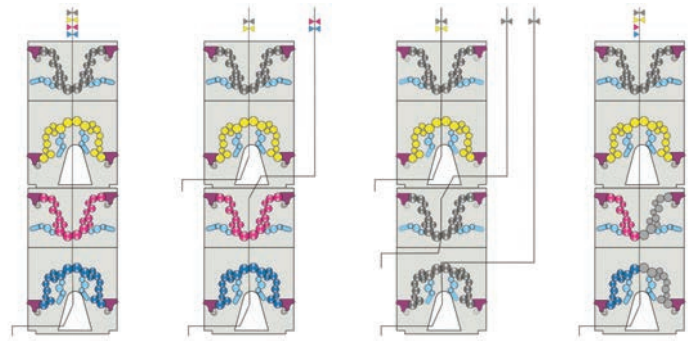
The modular design of H unit offers high degree of flexibility for configuration to print 4x4, 4x1, 4x2, 2x2 or 2x1 colour. Typical Reverse arch cylinder arrangement provide better accessibility to Plate and blanket cylinders. Cylinders are supported on precision backlash free triple ring bearings for achieving true register throughout the service life of the pressline. Slot on the plate cylinder is straight which facilitates mounting both the plates at a time. Micro-gap on the blanket cylinder with metalbacked blankets minimise vibrations and ensure quiet and precise running of the press. The blanket clamping is simple and fast.



Printing Tower

## Print Unit Modules :

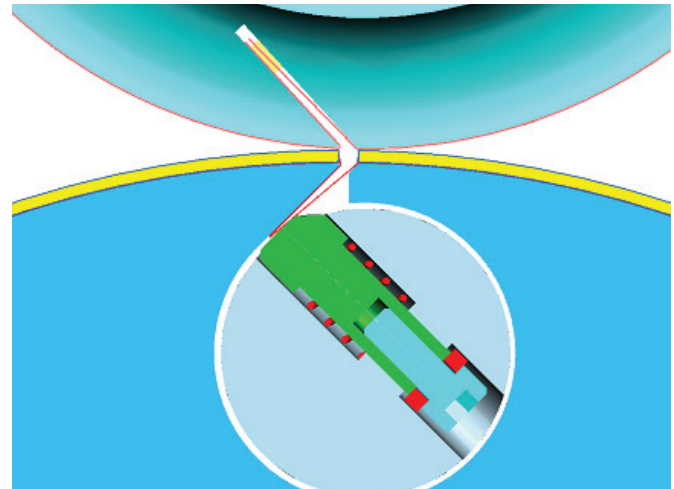
Arch and reverse arch cylinder geometry is employed in Dreamline for short web paths. With a single web, the H-H tower configuration delivers 4-color printing on each side of the web. Alternatively, up to 3 webs can be passed for printing single color on either side surface of the web. With provision of ink silencing H over H tower can be used for printing 2/1, 4/1 or 4/2 color printing.



## Precision Cylinders :

The dynamically balanced plate and blanket cylinders are made of solid stainless steel and mounted on backlash free three raceway bearings. The blanket cylinders are corrosion protected by a special surface coating.

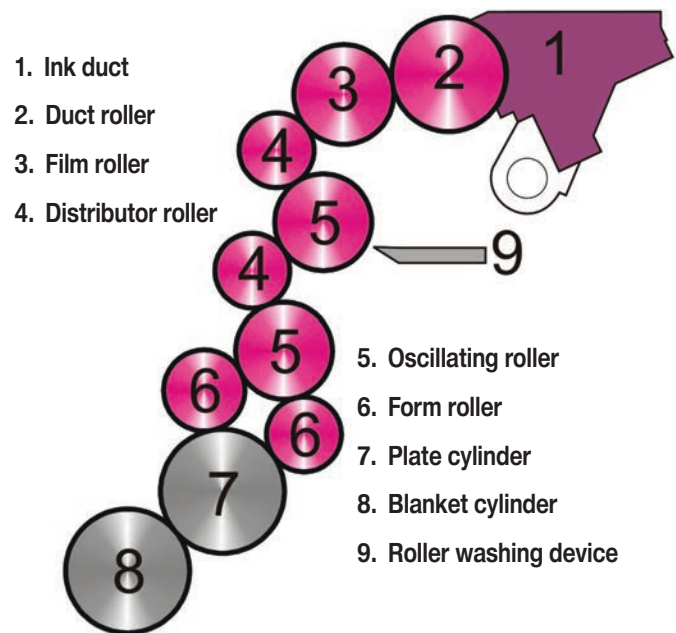
Plate cylinders have a narrow slot toolless plate lock up system and blanket cylinders have spring loaded plunger type clamping system for quick mounting of metal back blankets. The plate lock up design facilitates fast and easy plate changes. Register wedge provided in the cylinders ensure quick plate lock up in true register. Adjustment to circumferential and lateral register is motorized.



## Inking System :

The Inking system consists of 8 roller ink train with 2 form rollers of different diameters and 2 Rilsan coated rollers with oscillation stroke of  $\pm 11$  mm. All the rollers are precision balanced dynamically. Water cooled oscillating rollers are as an optional. A separate DC motor of ink duct roller having auto-tracking facility with the press speed drives the ink duct roller. The speed of the ink duct roller can be varied from the central console or from individual print units.

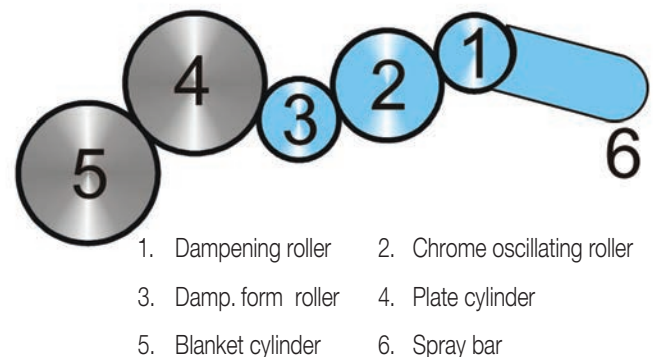
ManuColor Remote Ink zone Control system with an undershot blade with 37 keys for zone wise regulation of ink. The ink fountain roller transfers the ink to a film roller from where the ink take up roller picks up and transfers the ink to the other rollers of the ink train. Manual operated ink silencing mechanism for delinking the idle ink train. A pneumatically operated roller washing device allows cleaning of ink train rollers operated from central console.



## Spray Dampening System :

Spray dampening system with 8 nozzles per spray bar as a standard. Ease of handling and reduces print waste and make ready time.

Three roller dampening train for finefilm transfer of dampening solution. Spray bar follows pre-defined curve as per press speed and overriding can be possible from the central console.



## Folder Flexibility for more product versatility :

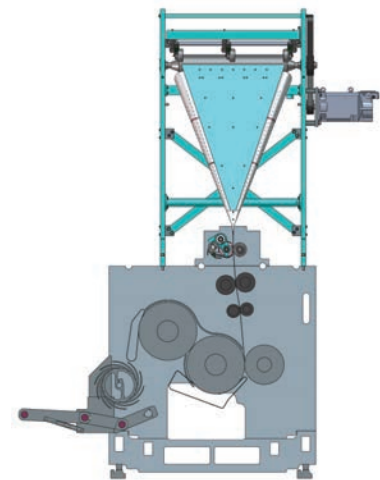
Dreamline offers a wide choice of rigid Folder to suit different product requirements.

The Folder with **DREAMLINE** is a heavy duty Folder with cylinder ratio of 2:3:3 which offers all the benefits of cylinders with equal segments. The folder can deliver 50,000 copies per hour per folding module. Depending on production requirement, Folder can be configured in different options covering right from Single delivery to Double delivery and with combination of Single or Double Formers.

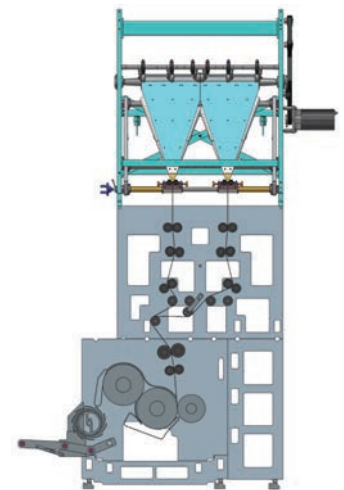
Different Draw roller/Angle bar structure to suit various production requirement and as per space availability widens the application of DREAMLINE. Add-on options like Gluing, Stitching, Multilevel formers, Quarter fold and Parallel fold are available as per customer's requirement.

### Folder Features at a Glance :

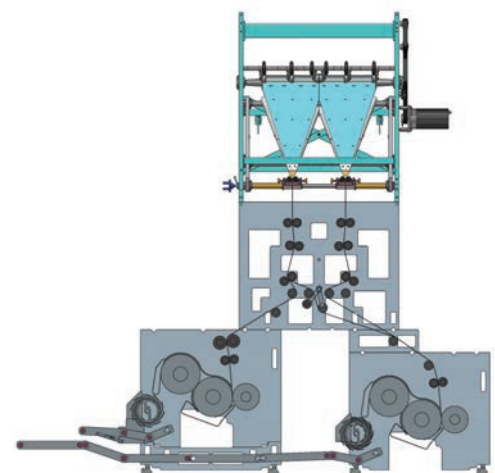
- Wide range of Folders connectivity
  - F233 with Single Former/Single delivery
  - F233 with Twin Former/Single delivery
  - F233 with Double delivery
  - Balloon Former attachment
- Shaftless Drive system
- Pneumatically operated draw runners On RTF rollers.
- Slitter mechanism at RTF for tabloid product.
- Air cushioned taper former.
- Number of driven draw rollers with steel runners.
- Folding cylinder having +/-2.5 mm. motorized Diameter increment facility (on run).
- 12 mm. overfold and under fold facility (On run, manually operated).
- Web severer arrangement.
- Electronic multisheet detection facility.
- Longitudinal and cross perforation provision for Quarter fold application.
- Customized T 90 or DRA structure
- Wide range of Folder attachments
  - Quarter Fold
  - Parallel Fold
  - Stitcher attachment
  - Gluing attachment
  - Dust collector



Single Former Single Delivery



Double Former Single Delivery



Double Former Double Delivery

## Robust drive system :

Dreamline offers shaftless drive system with overload protection clutch for safety as well as clutching and de-clutching function. All units are synchronised electronically. Footprint or H unit based shaftless system depending on customer's choice.

All motors are electronically synchronized; drive and electronic components are housed in separate drive panels. The drive gears are hardened and ground very precisely to ensure smooth running and increased life of the press.

## Perfect Web Tension :

### Web travel

Manugraph web control system ensures precise web travel and maintains constant web tension from the reel stand to the folder. This results in outstanding printing quality, low wastage and high level of operational reliability. The pneumatically operated dancer rollers linked with reel brake in the reel splicer maintains constant web tension.

In addition to this, a shaftless Infeed roller with nip is provided before web enters the tower. Draw roller modules having shaftless drive for each web before the RTF to ensure perfect tension as the web enters the former.

## Reliable Flying Splicer :

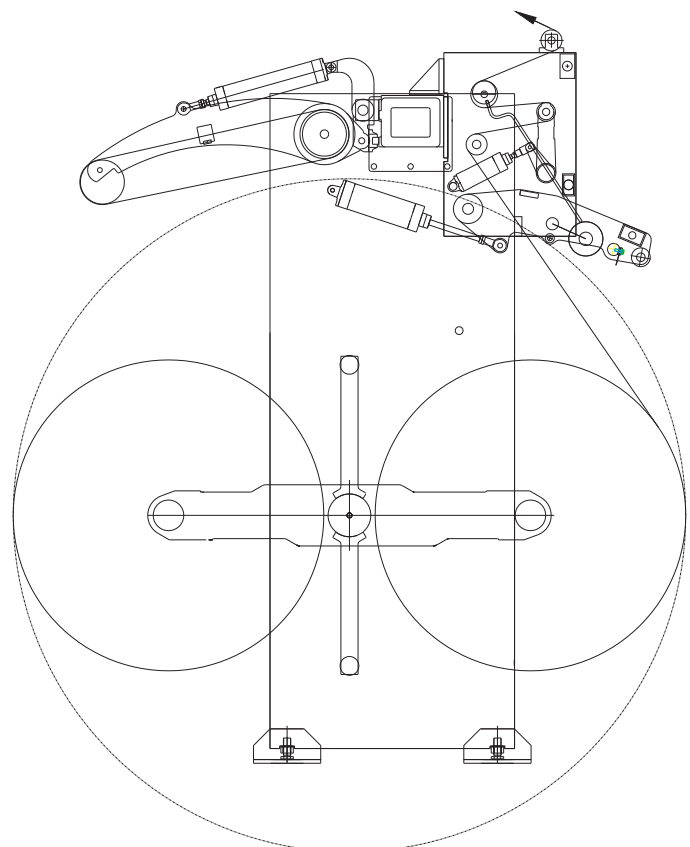
The reliable double wide splicer is offered with the DREAMLINE. This is a standalone splicer. The splicers can be placed inline with the press or at right angles or even at sub structure level.

A microprocessor based close loop dancer control system equipped with diaphragm type brake assembly for effective tension control system is integrated in the standalone flying splicer.

Additional Infeed unit can be fitted on the Splicer for heatset application.

### Features :

- Capable to hold two full reels of 1270 mm dia.
- Chuck type reel holding system
- Motorized reel alignment  $\pm 20$  mm
- Auto reel edge alignment before pasting
- Cable type web-up system
- Inline, 90° or Cellar placement
- Options
  - Infeed system
  - Reel dolly, Transfer table/Turn table



DW 5050

## **Touch Control :**

### **Electricals, Operating**

### **Controls and Drive**

All electricals are pre-wired and networked with remote programmable logic controller system. This means less cable route, easy diagnostics and trouble shooting, user friendliness and quick access to individual print units.



*Central Console*

## **Press Controls :**

### **Basic level module**

Each unit and Autopaster has its own PLC for all print functions and splicing applications. Touch panel for different functions, which are reflected on the central console display as well. At the print unit level engagement of ink duct and water pan roller, adjustment of ink water balance, engagement of inking and dampening rollers, overriding of ink keys, remote register control and web break detector selections are possible.

Manucolor ink zone control system is offered as extension to the basic module.

### **Central Console & PLC :**

The Central Console has operating switches for all press drive functions and a color touch screen operator interface from where all Print units can be accessed and functions controlled in both auto and manual mode. Functions such as dampener and inking roller speed adjustment and pre-programmed ink & water balance settings, motorized registration, bustle wheel adjustment and cut off register adjustment are remotely controlled from the touch screen. Basic data such as machine speed, gross copy, net copy, stack functional status are all displayed on the touch screen. Fault diagnostics and periodic maintenance guidelines are also displayed.

Manucolor ink zone keys adjustment is possible from the console in extension module.

Extension press control modules are also offered like CIP3 interface, Press management system, and Multi consoling.

## Manugraph Press Control

Press Control Levels	Features Available		Options
	Central Console	Print Unit Controls (Local Controls)	
<b>Basic</b>	<p><b>Color Touch Screen Console for Central Press Control</b></p> <ul style="list-style-type: none"> <li>• Direct access to any print unit and related print functions, in auto OR manual mode</li> <li>• Auto tracking of inking &amp; pan roller according to selected pre-programmed curves</li> <li>• Facility for feeding new ink/ water balance curves to suit specific job</li> <li>• Remote control of motorized registration (Open Loop)</li> <li>• Copy counter for Net/Gross copies</li> <li>• Batch selection</li> <li>• Central fault/Alarm message</li> <li>• Maintenance scheduling</li> <li>• Web break selection access</li> <li>• PLC based structure</li> <li>• Motorised PIV setting from Central Console</li> </ul>	<p><b>Touch Panel for Local Control</b></p> <ul style="list-style-type: none"> <li>• ON/OFF Control for Impression, dampening, inking &amp; film rollers</li> <li>• Water &amp; ink balance film override curve facility</li> <li>• Web break selection ON/OFF facility</li> <li>• Fault/Alarm display in Text for particular unit</li> <li>• Remote control of motorized registration (Open Loop)</li> <li>• Manual Ink Zone Control</li> <li>• LCD display for fault messages, function status</li> </ul>	<ul style="list-style-type: none"> <li>• Integration of close loop cut-off control and remote registration system from 3rd party suppliers</li> <li>• LCD display for fault messages, function status</li> </ul>
<b>Extension 1</b>	<p><b>ManuColor remote control of Ink Zones</b></p> <ul style="list-style-type: none"> <li>• Separate 15" Touch screen display for Remote Ink Zone Control</li> <li>• Manual Override</li> <li>• Self diagnostics</li> <li>• Individual /all zone increase/ decrease</li> </ul>	<ul style="list-style-type: none"> <li>• Lever for manual override</li> </ul>	<ul style="list-style-type: none"> <li>• CIP 4 interface</li> </ul>

# DREAMLINE

## Specifications

Maximum Output (copies/h)	50,000
Plate Cylinder rph	50,000
Pages per web (broadsheet)	8
Web width (mm)	1400
Cut off lengths (mm)	546, 578
Printing unit modules	H type
Reel splicer	DW 5050 (50" reel holding)
Folder	2:3:3 Jaw Folder - Single or double delivery
Max. No. of ribbons	Up to 12 nos.
Data management	PLC Based/PC based
Drive	Shaftless

### Accessories

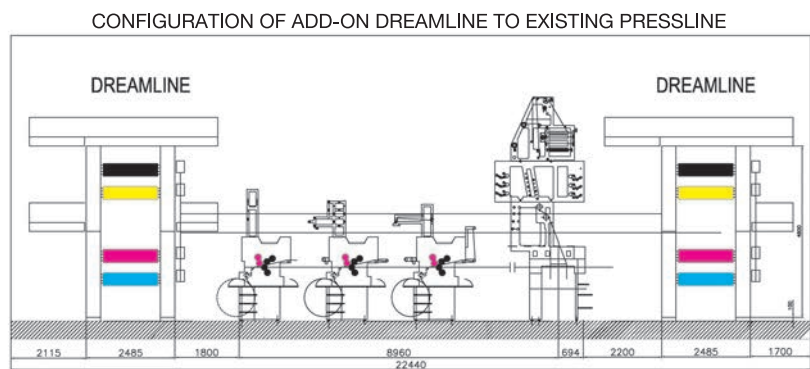
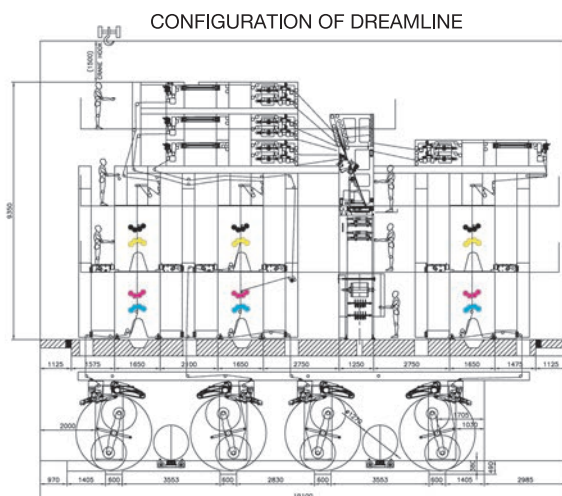
- Plate Punching device
- Plate Bending device
- Web trolley for loading

### Optionals

- Bay Window
- Heatset Package
- CIP3/CIP4 interface to ManuColor
- UV curing system
- Close loop registration and cut-off control system
- PMS

## A modular eight page concept for press extension flexibility

Dreamline provides a wide range of production variants.



### Manugraph India Ltd.

Sidhwa House, 1st floor, N.A.Sawant Marg, Colaba, Mumbai-400 005. Phone: 91-22-2287 4815/4788/1191/0620. Fax: +91 22 2287 0702 Email: sales@manugraph.com Website: www.manugraph.com

Dreamline is subject to continuous upgradation resulting from ongoing research and development and practical experiences gained. Therefore, in the interest of the customers we reserve the right to modify the specifications, features and technical data without notice. Only the specifications while confirming the order shall be binding. **DREAMLINE** is a registered trademark of Manugraph India Ltd.